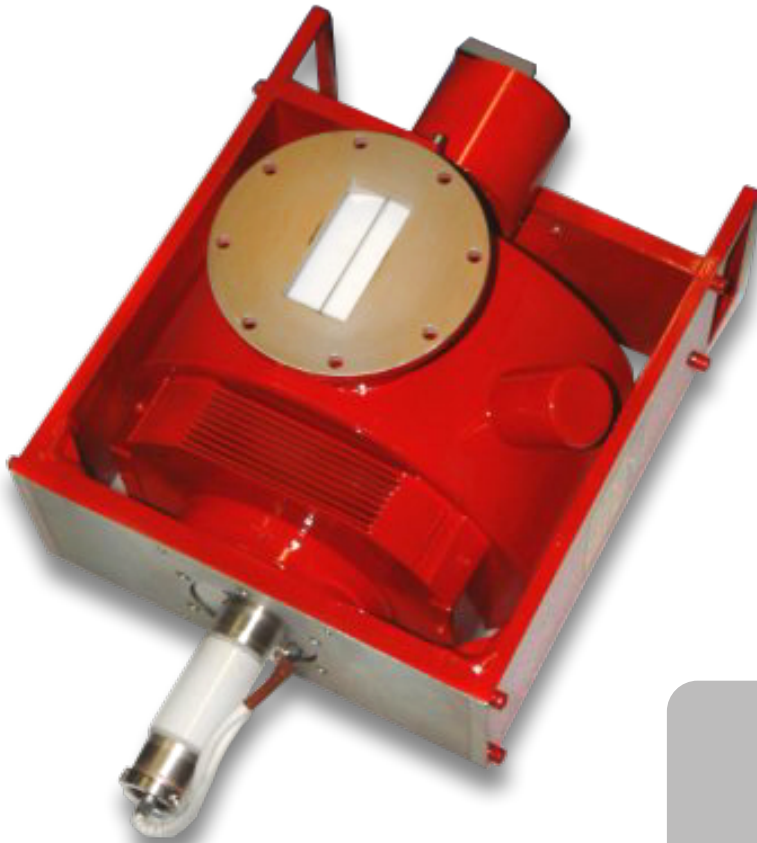


## CPI Electron Device Business - Coaxial Magnetron



### FEATURES:

- Frequency 2.7 – 2.9 GHz
- Peak power output 500 kW
- Duty cycle .0083
- Anode voltage 31 kV
- Anode current 39 amps
- Pulse width 1.0 microseconds
- Heater 10 volts @ 19 amps
- Air cooled
- Mechanically tunable

### BENEFITS:

- Long life
- Exceptional frequency stability

### APPLICATIONS:

- Air traffic control radars
- Weather radars

# CPI EDB S-Band 500 kW Coaxial Magnetron: VMS1637

## Electrical Specifications

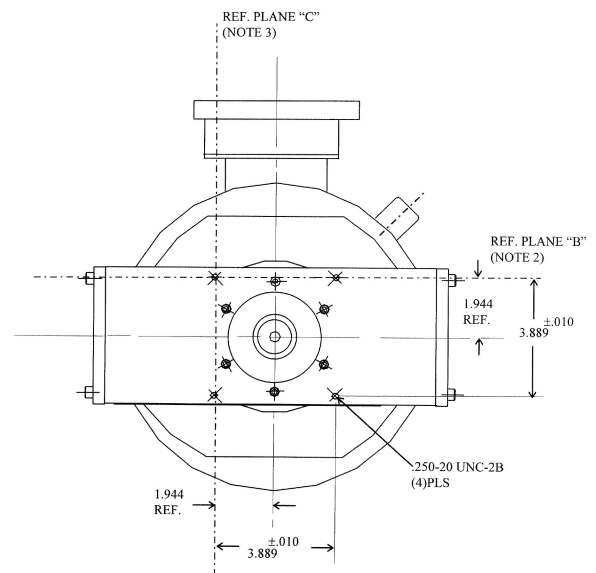
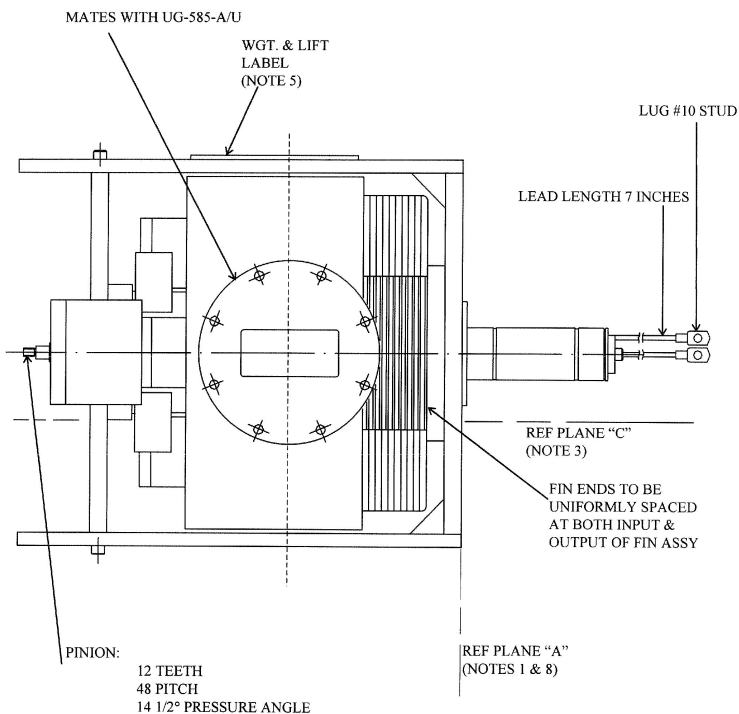
Frequency	2.7 – 2.9 GHz
Peak Power Output	500 kW
Average Power Output	1.1 kW
Pulse Voltage	30.0 – 34.0 kV
Peak Anode Current	45 A
Average Anode Current	32.3 mA
Pulse Width	1.0 $\mu$ S
Duty Cycle	0.0083
Maximum Filament Voltage	11 V
Maximum Filament Current	54 A
Minimum Warm -Up Time	480 S
Maximum Load VSWR	1.5:1

## Mechanical and Environmental Specifications

Cooling	Forced air
Maximum Body Temperature	65°C
Mounting Position	Any
Support	Mounting flange
Coupling	Mates with UG585A/U flange
Tuning	110 turns
Weight	95 lbs. (43.09 kg)

With a history of producing high quality products, we can help your with magnetron.

Contact us at [ElectronDevices@cpiedb.com](mailto:ElectronDevices@cpiedb.com) or call us at +1 978-922-6000.



**Beverly Microwave Division**  
150 Sohier Road  
Beverly, Massachusetts  
USA 01915

tel +1 978-922-6000  
email [ElectronDevices@cpiedb.com](mailto:ElectronDevices@cpiedb.com)  
fax +1 978-922-8914  
web [www.cpi-edb.com](http://www.cpi-edb.com)

For more detailed information, please refer to the corresponding CPI EDB technical description if one has been published, or contact CPI EDB. Specifications may change without notice as a result of additional data or product refinement. Please contact CPI EDB before using this information for system design.

©2024 CPI Electron Device Business. Company proprietary; use and reproduction is strictly prohibited without written authorization from CPI EDB.